

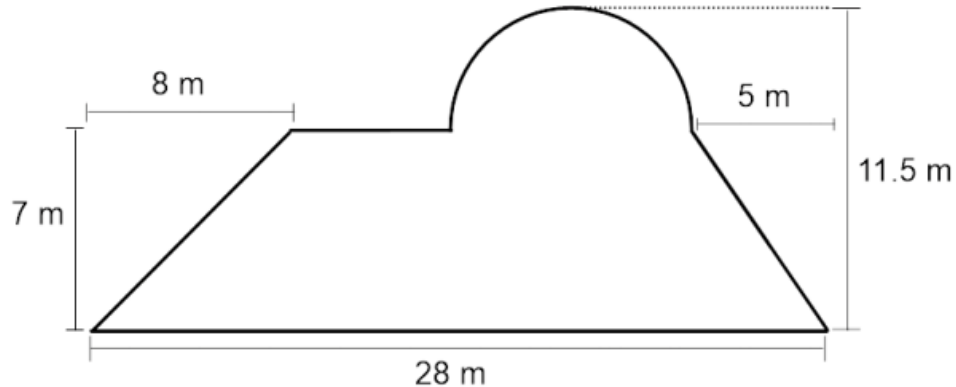
Composite Figures Assignment

Knowledge/ Understanding	Communication	Application
/12	/3	/5

Communication [C /3]:

- Neat, clear, complete answers → SHOW ALL WORK!
- Proper use of mathematical symbols
- Appropriate use of units and correct rounding

A contractor is building a deck in the shape of the composite figure below.



- a) Determine the **perimeter** of the figure above. Show all your work!
Round to **one decimal place**.

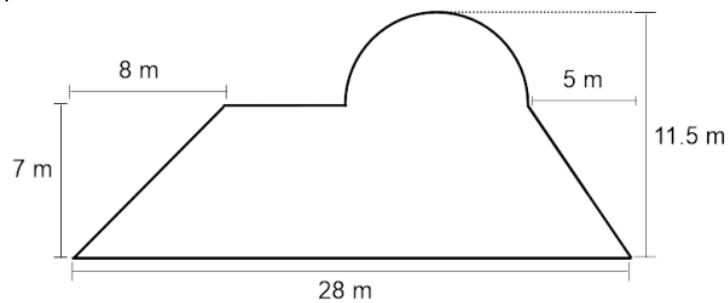
[K /7]

- b) Convert the perimeter you found in (a) to **inches**.

[A /1]

- c) Fencing to surround the perimeter of this deck costs \$0.50/inch. Determine **how much** it would cost to fence the entire deck.

[A /1]



- d) Determine the **area** of the figure above. Show all your work!
Round to **one decimal place**.

[K /5]

- e) Convert the area you found in (c) to **feet²**.

[A /1]

- f) The material to cover the deck costs \$3.50/ft². How much will it **cost** to cover the entire deck?

[A /1]

- g) How much does it cost to build the **entire deck** (railings and decking)?

[A /1]